

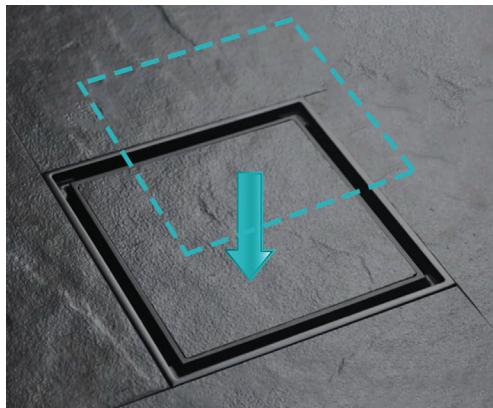
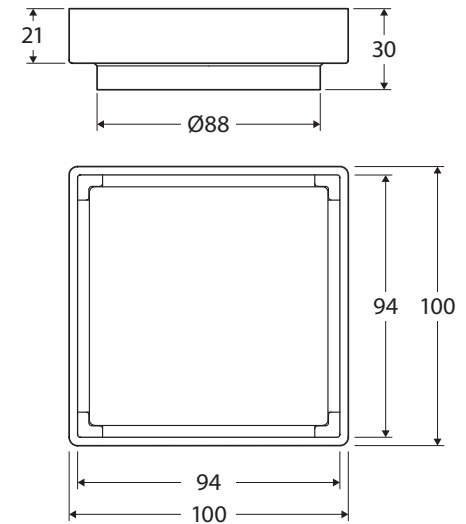
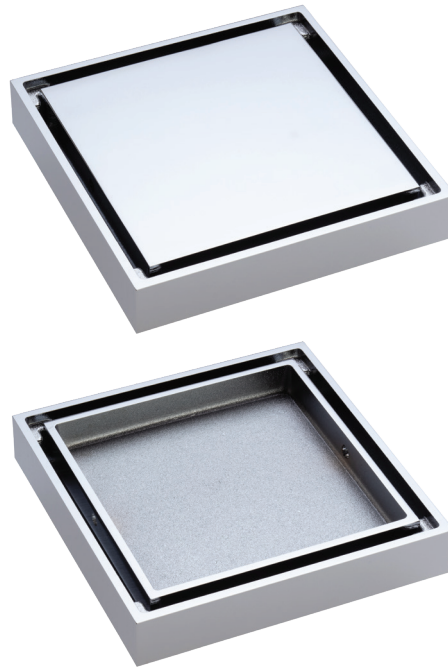
Square

2-IN-1 TILE BED FLOOR WASTE

Features

This reversible 2-in-1 floor waste allows greater design flexibility with the option of using the included traditional waste cover, or the tile bed insert to provide a seamless look with your chosen floor tiles.

- 88 mm outlet
- Made from solid brass
- Electroplated finishes



Available in



Chrome

TIW85DCP



Matte Black

TIW85DMBK



Brushed Nickel

TIW85DBN



Gun Metal

TIW85DGM



Urban Brass

TIW85DUB



Antique Brass

TIW85DAB



Rose Gold

TIW85DRG



Matte Black Outer
with Chrome Insert

TIW85DMBKCP

Cleaning & Care

- Regularly clean with mild soapy water using a microfibre cloth.
- In highly polluted or coastal locations, we recommend cleaning 2-3 times per week.
- Do not use harsh detergents, bleach, cream cleaners or citrus based cleaners. These substances are abrasive and will damage the surface.
- Do not use undue pressure and wipe in one direction only.

We aim to ensure that specifications are correct at the time of publication. All measurements are shown in millimetres. Always use measurements of actual product received for final specification as the technical drawing may contain differences. Due to printing limitations, physical colour may vary from the image shown. Fienza reserves the right to make modifications without prior notice.